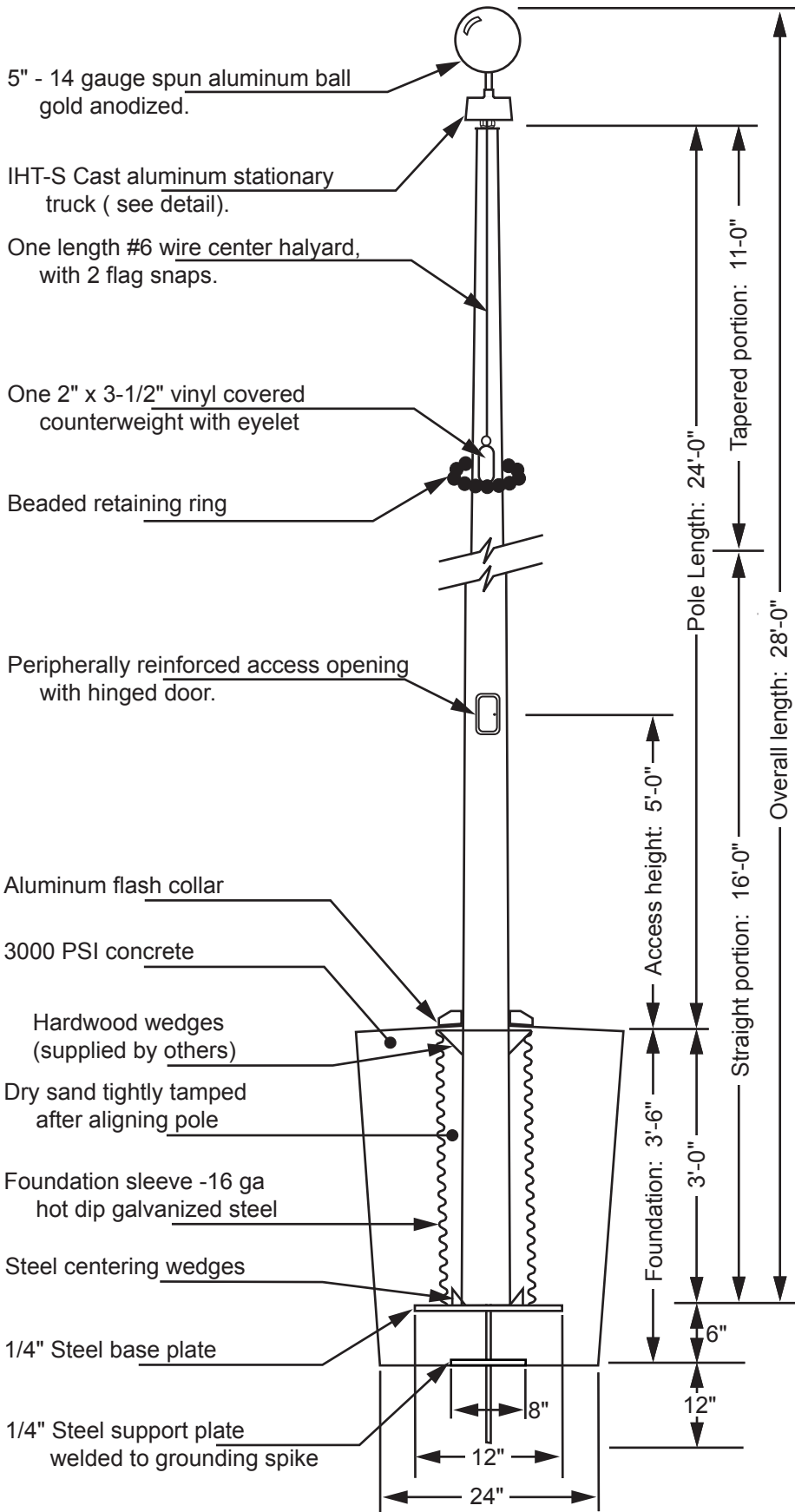


Model ECXV25



5" - 14 gauge spun aluminum ball gold anodized.

IHT-S Cast aluminum stationary truck (see detail).

One length #6 wire center halyard, with 2 flag snaps.

One 2" x 3-1/2" vinyl covered counterweight with eyelet

Beaded retaining ring

Peripherally reinforced access opening with hinged door.

Aluminum flash collar

3000 PSI concrete

Hardwood wedges (supplied by others)

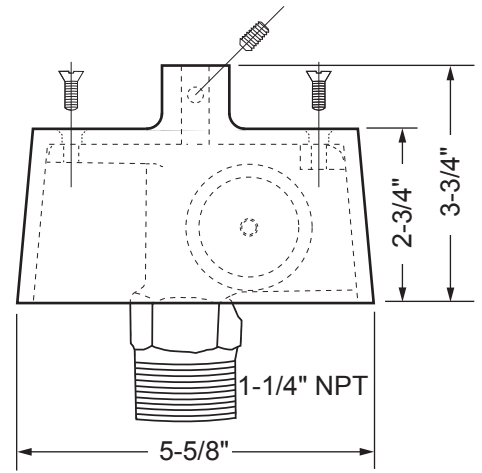
Dry sand tightly tamped after aligning pole

Foundation sleeve -16 ga hot dip galvanized steel

Steel centering wedges

1/4" Steel base plate

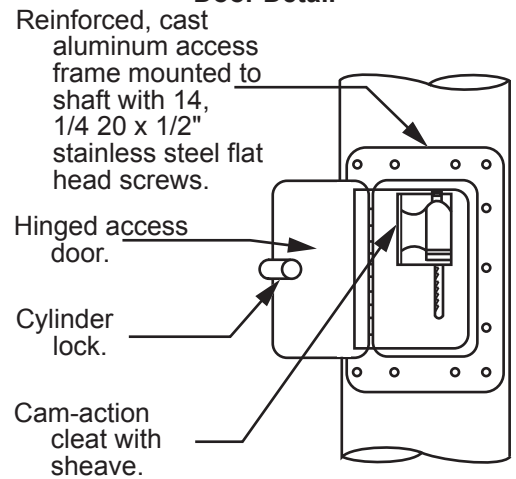
1/4" Steel support plate welded to grounding spike



Truck Detail (IHT-VS)

Cast aluminum construction
Stationary truck
2" outside diameter nylon sheave
Top designed with 1/2" - 13NC to accept an ornament
Stainless steel flathead screws for assembly

Door Detail



Reinforced, cast aluminum access frame mounted to shaft with 14, 1/4 20 x 1/2" stainless steel flat head screws.

Hinged access door.

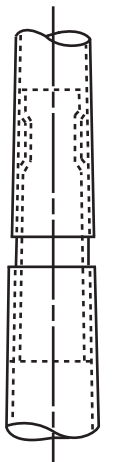
Cylinder lock.

Cam-action cleat with sheave.

All shafts with overall length of more than 38'-6" are shipped in two sections.

Each section matched marked for field assembly. Exposed portion of jam sleeve must be **well lubricated** prior to assembly.

1-1/2" maximum shop gap allowed for field fitting (ram for tight joint)



Project:	Ground set tapered aluminum flagpole: ALLOY: 6063T6		Date:
Location:	Pole Length: 27'-0"	Overall height: 28'-0"	Revision:
Architect:	Ship in 1 section	Butt diameter: 5"	
Contractor:	Top diameter: 3"	Wall thickness: .125"	
Customer:	Finish: 100 grit polish		Job: